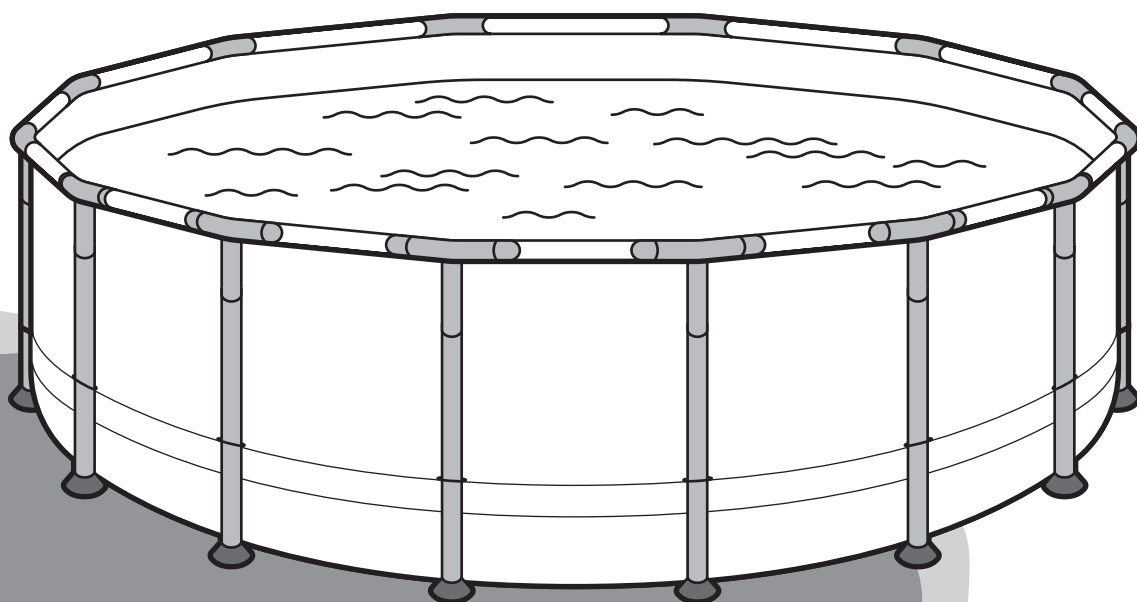


FunSicle®

Oasis Pool

Most spacious & luxurious all-in-one experience



User Guide

Simple steps to setting up and enjoying your pool



Sign up for future
offers and discounts.
Scan the QR Code.

Contents

Welcome!	3
Warranty Information	3
Safety Guidelines	4
Location Requirements	4
Warnings	4
Pool Safety Sign	13
Pool Ladder Safety	13
Pool Cover Safety	14
Building Your Pool	15
Inside Your Product Box	15
STEP 1: Prepare the site	16
STEP 2: Assemble the pool frame and connect it to liner	17
STEP 3: Add 1 inch of water to pool	21
STEP 4: Install the fittings for filter pump and then install filtration system	22
Filling Your Pool	23
Draining & Dismantling Your Pool	24
Maintaining Your Pool	25
Storage	25
Repair	25
Winterizing Your Pool	26
Parts List	27

Welcome!

Congratulations on your new Funsicle Oasis Pool – the most spacious & luxurious all-in-one experience. This guide will walk you through everything from setting up to maintaining and enjoying your pool.

As always, we're here to help. For any issues, questions, or extra support, visit support.funsicle.com, or contact Customer Service at 888-670-4FUN (888-670-4386) or HelloFun@Funsicle.com.

Learn more about us at Funsicle.com

Warranty Information

This Funsicle Oasis Pool is subject to the following warranty, with warranty service provided by Polygroup North America, Inc. (hereinafter "Polygroup").

Limited Warranty

Polygroup is pleased to offer this warranty for the repair or replacement of Above Ground Pools for one (1) year from the date of purchase (or date of delivery to the original purchaser, if later). The provisions of this Limited Warranty only apply to the original purchaser and who purchased from an authorized Polygroup seller. Please keep your original store sales receipt. This proof of purchase will be required and must accompany warranty claims to Polygroup or its designated agents. This Limited Warranty will not apply to modified or repaired products, unless authorized by Polygroup in writing; or to products in which non-Polygroup parts or accessories were substituted; or use of the product in contravention of the product's instructions; or when improper voltage was used; or if the product was abused, or harmed through accident or negligence. This Limited Warranty does not cover consequential damages, including, but not limited to, claims for loss of water, pool chemicals, or labor time or costs, normal wear-and-tear; nor to acts of God, nor to damage to any other products or property.

In no event shall Polygroup, its authorized agents, related entities, or employees be liable to the buyer or any other party for direct or consequential damages. This limitation, in part or in full, may not apply to you, if the jurisdiction in which the claim arose does not allow this limitation.

This Limited Warranty is not extended to close-outs, factory seconds, or resold products, such as garage sales or auctions, or purchases from non-authorized sellers of Polygroup products. This Warranty also does not apply to online vendors or any other sellers who did not purchase the products from a Polygroup company, whether the product has been used or not prior to being sold to you. Any issues with items purchased from these types of vendors/sellers will need to be addressed directly with them.

Safety Guidelines

IMPORTANT SAFETY INSTRUCTIONS

When installing and using this product, basic safety precautions should always be followed, including the following:

READ AND FOLLOW ALL INSTRUCTIONS

Keep this User Guide for future reference. Failure to follow these warnings and instructions can result in serious injury or death to users, especially children.

Location Requirements







- Set up the pool only on level, stable, and compact soil.
- Do not set up the pool on sand surface.
- Excessive sand inside the pool will damage the pool liner and filtration system.

Failure to follow these instructions will void the warranty.

NOTICE: Customers who purchase pools may be required by local or state law to incur additional expenses when installing a pool, in order to comply with state or local laws regarding fencing and other safety requirements. Customers should contact their local building code enforcement office for further details. Polygroup is not responsible for any additional expenses that you may incur.

Warnings

⚠ WARNING:

 <p>PREVENT DROWNING AND UNAUTHORIZED ACCESS</p> <ul style="list-style-type: none"> • Closely watch children who are in or near this pool. • Children under 5 are at highest risk for drowning. • Do not leave child unattended while in use. • Use only under competent supervision. • Remove ladders or empty pool when not in use. • Install a pool fence around the pool. 	 <p>NO DIVING!</p> <ul style="list-style-type: none"> • You can break your neck and be paralyzed. 	 <p>AVOID FALLING</p> <ul style="list-style-type: none"> • Do not sit on or lay over pool wall. • You can be permanently injured. 	 <p>AVOID ENTRAPMENT!</p> <ul style="list-style-type: none"> • Stay away from drains & suction fittings, your hair, body, & jewelry can get sucked into drain. You could be held under water & drown. • Do not use pool if drain or suction outlet cover is missing or broken. 	<p>ELECTROCUTION RISK</p> <ul style="list-style-type: none"> • Keep all electrical lines, radios, speakers, and other electrical devices away from pool. • Do not place pool near or under overhead electrical lines.
<ul style="list-style-type: none"> • State or local codes may require fencing and other safety measures (not included), such as a pool alarm. Consult local building code officials for requirements. • Assemble and disassemble by adult only. • Competent supervision and knowledge of the safety requirement is necessary to prevent drowning or permanent injury in use of this product. 				
<p>Read and follow all safety information and assembly instructions in the User Guide.</p>				

SAFETY CARE FOR CHILDREN

- Assign an adult to be responsible for watching children in the pool. Give this person a “water watcher” tag and ask that they wear it the entire time they are in charge of supervising children in the pool. If they need to leave for any reason, ask this person to pass the “water watcher” tag and the supervision responsibility to another adult. For replacement of the water watcher tag, visit funsicle.com.
- Pool presents a drowning hazard even during filling and draining of the pool. Maintain constant supervision of children and do not remove any safety barriers until the pool is completely empty and stowed away.
- Children, especially children younger than five years, are at high risk of drowning. Drowning occurs silently and quickly and can occur in as little as 2 in (5 cm) of water.
- Keep children in your direct sight, stay close, and actively supervise them when they are in or near this pool and when you are filling and emptying this pool.
- When searching for a missing child, check the pool first, even if child is thought to be in the house.
- Locate pumps and filters in such a way that children cannot climb on them and gain access to the pool.

SWIMMING POOL BARRIERS

- Swimming pool barriers, which restrict access to the pool by small children, may be required by law. A barrier is necessary to provide protection against potential drowning and near drowning. Barriers are not a substitute for constant supervision of children. Check state or local laws and codes before setting up the pool.
- Keep unsupervised children from accessing the pool by installing fencing or other approved barrier around all sides of pool. State or local laws or codes may require fencing or other approved barriers.
- See latest published edition of CPSC Pub. No. 362 found at poolsafely.gov.

SWIMMING POOL EQUIPMENT

- The use of artificial pool lighting is at the discretion of the pool owner. Lighting, when installed, should be in accordance with Article 680 of the National Electrical Code (NEC®) or its latest approved edition and in consultation with a licensed electrical professional.
- Keep all electrical lines, radios, speakers, and other electrical appliances away from the pool.
- Do not place the pool near or under overhead electrical lines.
- All electrical components installed in and/or adjacent to an above-ground/on-ground residential swimming pool shall be installed in accordance with and shall comply with the requirements of the latest published edition of NFPA 70, National Electrical Code (NEC®) Article 680 "Swimming Pools, Fountains, and Similar Installations", and any state or local code.

SWIMMING POOL AWARENESS

- **Assembled by adults only;** this pool may contain potentially hazardous sharp objects that are parts of the pool.
- **Do not install the pool on a slope or inclined surfaces, on soft or loose soil conditions (such as sand or mud), or on an elevated surface such as a deck, platform or balcony. It may collapse under the weight of the filled pool.**
- **TO AVOID DANGER OF SUFFOCATION:** Keep the plastic bag used in this product away from babies and children; do not use the bag in cribs, beds, carriages, or playpens. The plastic bag could block the nose and mouth and prevent breathing. The plastic bag is not a toy.
- If a drain or suction outlet cover is missing or broken, do not use the pool. Suction can cause body part entrapment, hair and jewelry entanglement, or drowning. Repair or replace the drain or suction outlet cover before using the pool again.

- When using the pool at night, artificial lighting should be used to illuminate all safety signs, ladders, steps, deck surfaces, and pathways.
- Keep your pool clean and clear. The floor of the pool shall be visible at all times from the outside perimeter of the pool.
- The deepest part of the pool must be visible at all times from outside of the pool.
- Call for emergency if needed.
- Basic lifesaving equipment, including one of the following should be on hand at all times:
 - A light, strong, rigid pole (shepherd's crook) not less than twelve feet (12') [3.66 m] long.
 - A minimum one-fourth inch (¼") [6.35 mm] diameter rope as long as one and one half (1 ½) times the maximum width of the pool or fifty feet (50') [15.24 m], whichever is less, which has been firmly attached to a Coast Guard-approved ring buoy having an outside diameter of approximately fifteen inches (15") [38.1 cm], or similarly approved flotation device.
- The pool is subject to wear and deterioration. If not maintained properly, certain types of excessive or accelerated deterioration can lead to a failure of the pool structure that might release large quantities of water that could cause bodily harm and property damage.
- Never allow horseplay, diving, or jumping into or around the pool. This could lead to serious injury, paralysis or death. Do not allow anyone to swim alone without supervision.
- Pool shall be located at a minimum distance of 6 ft (1.83 m) from any receptacle. All 125-volt, 15- and 20-ampere receptacles located within 20 ft (6.0 m) of the pool shall be protected by a ground fault circuit interrupter (GFCI), where distances are by measuring the shortest path from the supply cord of an appliance connected to the receptacle, without piercing a floor, wall, ceiling, doorway with hinged or sliding door, window opening, or other effective permanent barrier, to the inside wall of the pool.

CIRCULATION SYSTEMS

- Follow written instructions regarding positioning of all equipment connected to the circulation systems and operating the components.
- Circulation equipment shall be installed per manufacturer's instructions to provide proper mounting and support, to prevent damage from misalignment, settlement, and vibration, and to minimize the potential for the accumulation of debris and moisture. Please refer to the pump's user guide.
- A replacement pump should never exceed the maximum flow rate marked on the suction fitting.

LADDER

- The ladder should be located on a solid base and is to be installed per the manufacturer's instructions.
- One person on the ladder at a time.
- THIS LADDER IS DESIGNED AND MANUFACTURED FOR A SPECIFIC, OR RANGE OF, POOL WALL HEIGHT(S) AND/OR POOL DECK HEIGHTS.
- When entering/exiting the pool, face the ladder at all times.
- To prevent entrapment or drowning do not swim through, behind, or around the ladder.
- Remove and secure the ladder when pool is not occupied.

POOL COVER

Pool covers used for safety barriers shall comply with the latest published edition of ASTM F-1346, Standard performance specifications for safety covers and labeling requirements for all covers for swimming pools, spas, and hot tubs.

CHEMICALS

For safety's sake, ensure the deepest part of the pool is always visible. The user must properly maintain pool water clarity at all times. Check the pH and chlorine levels periodically, and make sure they are within the recommended limits. Additional water treatment chemicals might be needed from time to time. Have the water sample tested by a local pool supply store to determine if additional chemicals are needed. Run the filter pump for a recommended 8-10 hours each day. These hours can be extended depending on the water clarity. Clean and replace filter cartridge frequently. Replace only with genuine Funsicle Brand filter cartridges. Refer to the Filter Pump User Guide for additional water care information.

RISK OF ENTRAPMENT

- **Entrapment Avoidance:** There shall be no protrusions or obstruction in the swimming area, which may cause entrapment or entanglement of the user. If a suction outlet cover is missing or broken, do not use the pool. Suction can cause body part entrapment, hair and jewelry entanglement, evisceration, or drowning. Repair or replace the suction outlet cover before allowing the pool to be used.
- Never play or swim near drains or suction fittings. Your body or hair may be trapped, causing permanent injury or drowning.

RISK OF DROWNING

- Keep unsupervised children from accessing the pool by installing fencing or other approved barriers around all sides of pool. State or local laws or codes may require fencing or other approved barriers. Check state or local laws and codes before setting up the pool.
- Remove pool ladders after leaving the pool.
- Toys, chairs, tables, or similar objects that a young child could climb should be at least four feet (4') [121.92 cm] from the pool. The pump filter system should be positioned so as to prevent it from being used as a means of access to the pool by young children. Do not leave toys inside pool when finished using, since toys and similar items might attract a child to the pool.
- Position furniture (for example, tables, chairs) away from pool, so that children cannot climb on it to gain access to the pool. After using pool, remove water to a level of ½ in (1 cm) or less.

DIVING RISK

- Above-ground/on-ground residential swimming pools are for swimming and wading only. No diving boards, slides, or other equipment are to be added to an above-ground/on-ground pool.
- Do not dive into this pool. Diving into shallow water can result in a broken neck, paralysis, or death.

RISK OF ELECTROCUTION

- Keep all electrical lines, radios, speakers, and other electrical appliances away from the pool.
- Do not place the pool near or under overhead electrical lines.

FIRST AID

- Keep a working phone and a list of emergency numbers near the pool.
- Become certified in cardiopulmonary resuscitation (CPR). In the event of an emergency, immediate use of CPR can make a lifesaving difference.

SPECIAL WARNING

- Local building codes may require obtaining a building or electrical permit. Installer shall follow regulations on setback, barriers, devices and other conditions.
- Safety signs shall comply with requirements of ANSI-Z535 and use signal wording.
- DO NOT attempt to assemble this pool in adverse weather conditions, windy conditions, or when the temperature is below 60°F.
- This is a storable pool, which should be disassembled and stored when temperatures are expected to fall below 32°F.
- Ensure that all pools and their related components that are installed in an indoor environment should comply with the ventilation requirements of ANSI/ASHRAE 62 or the latest published edition of Ventilation for acceptable indoor air quality, Table 2, Article 2.1.
- The placement of the pool and portable pools shall be set up so that they comply with local safety and building codes.

EXTRA SAFETY WARNING

- When you touch the filter, pump, or electrical parts, be sure the ground under your feet is "Bone Dry."
- Connect power cords to a 3-wire grounding-type outlet only.
- Keep all breakable objects out of the pool area.
- Alcohol consumption and pool activities do not mix. Never allow anyone to swim, dive, or slide while under the influence of alcohol or drugs.
- Severe electrical shock could result if you install your filter pump on a deck. The pump or filter could fall into the water, causing severe shock or electrocution.
- Do not allow roughhousing and horseplay.
- Do not engage in extended breath holding activities underwater; you may black out and drown.
- Install pool ladder(s) or a staircase for entry and exit from the pool.
- Check regularly for signs of wear on the liner or any loose parts that could make pool unsafe.
- Instruct pool users about the proper use of all pool ladder(s) and staircases.
- Check all nuts and bolts regularly to ensure that the ladder stays sturdy.
- Contact pool site dealer or manufacturer for additional safety signs if deemed necessary.
- For pool service, choose a certified pool professional. For more safety information, see APSP.org

CONSUMER AWARENESS BOOKLETS AND INFORMATION SOURCE

Contact: U.S. Consumer Product Safety Commission at cpsc.gov/Safety-Education/Pools-and-Spas, Pub. #362 "Safety Barrier Guidelines for Home Pools."

- The Sensible Way to Enjoy Your Above-ground/On-ground Swimming Pool.
- Children Aren't Waterproof.
- Layers of Protection.
- Pool and Spa Emergency Procedures for Infants and Children.
- Be Safety Aware Copies of the above brochures are available free from the APSP. Go to: APSP.org

SAFETY EDUCATION PROGRAMS AND MATERIALS

Educational programs and materials (i.e. seminars, workshops, brochures, videos, instructional guides) are available from the APSP, other aquatic safety groups, and by private firms. As a means of communicating useful safety information to pool owners/operators and users, industry members are permitted to provide such information to owners/operators and to request or require owners/operators to sign a statement that they have received, read, and will follow the guidelines.

Other sources of safety information:

- cdc.gov
- cpsc.gov
- drowningpreventionalliance.com
- nspf.org
- safekids.org

NSF International

P.O. Box 130140
789 N. Dixboro Road
Ann Arbor MI 481105
Contact: 800-673-6275 or 734-769-8010
nsf.org

ANSI American National Standards Institute

25 West 43rd Street, New York NY 10036
Contact: 212-642-4900
ansi.org

ASTM International (formerly American Society of Testing & Materials)

100 Barr Harbor Drive, P.O. Box C700 West
Conshohocken, PA 19428-2959
Contact: 877-909-2786 (USA & Canada)
or 610-832-9585 (International)
astm.org

APSP Association of Pool & Spa Professionals

(Formerly National Spa and Pool Institute)
2111 Eisenhower Avenue, Ste. 500
Alexandria VA 22314-4679
Contact: 703-838-0083
apsp.org

NEC National Electrical Code (see NFPA)

NFPA National Fire Protection Association
1 Batterymarch Park, Quincy MA 02169-7471
Contact: 800-344-3555 (U.S. & Canada) or
617-770-3000 (International)
nfpa.org

NSPI National Spa and Pool Institute (see APSP)

UL Underwriters Laboratories
333 Pfingsten Road, Northbrook IL 60062-2096
Contact: 877-854-3577 or 847-272-8800
ul.com

ASME American Society of Mechanical Engineers

Two Park Avenue, New York NY 10016-5990
Contact: 800-843-2763 (USA & Canada) or
973-882-1170 (Outside N. America)
asme.org

FILTRATION SYSTEMS

Any equipment connected to the circulation systems shall be positioned so as to prevent their being used as a means of access to the pool by young children. (See the latest published edition of ANSI/APSP-8 Model Barrier Code for Residential Swimming Pools, Spas, and Hot Tubs.)

BARRIER

A barrier is necessary to provide protection against potential drowning and near drowning, and barriers are not a substitute for the constant supervision of children. (See latest published edition of ANSI/APSP-8 Model Barrier Code for Residential Swimming Pools, Spas, and Hot Tubs.)

- 1 A barrier is necessary and often required by law, regulation, or standard to provide protection against potential drowning and near drowning and that barriers are not a substitute for the constant supervision of children.
- 1.1 Barrier requirements. The provisions of this section shall apply to the design of barriers for restricting entry into the pool area. The provisions of this section also address when a pool wall can serve as a barrier.
- 1.2 Barrier height and clearances. Barrier heights and clearances shall be in accordance with all of the following:
 - 1.2.1 The top of the barrier shall be not less than 48 in. (1219 mm) above grade when measured on the side of the barrier that faces away from the pool. Such height shall exist around the entire perimeter of the barrier and for a distance of 3 ft. (914 mm) measured horizontally from the outside of the required barrier.

- 1.2.2 The vertical clearance between grade and the bottom of the barrier shall not exceed 2 in. (51 mm) for grade surfaces that are not solid, such as grass or gravel, when measured on the side of the barrier that faces away from the pool.
- 1.2.3 The vertical clearance between a surface below the barrier to a solid surface, such as concrete, and the bottom of the required barrier shall not exceed 4 in. (102 mm) when measured on the side of the required barrier that faces away from the pool.
- 1.3 Openings. Openings in the barrier shall not allow passage of a 4-in. (102 mm) diameter sphere.
- 1.4 Solid barrier surfaces. Solid barriers that do not have openings shall not contain indentations or protrusions that form handholds and footholds, except for normal construction tolerances.
- 1.5 Mesh fence as a barrier. Mesh fences, other than chain link fences in accordance with Section 1.8, shall be installed in accordance with the manufacturer's instructions and shall comply with ASTM F2286-16 and with all of the following:
 - 1.5.1 Where a hinged gate is used with a mesh fence, the gate shall comply with Section 1.11.
 - 1.5.2 Mesh fences shall not be installed on top of onground residential pools.
 - 1.5.3 Setback for mesh fences. The inside of a mesh fence shall be no closer than 20 in. (508 mm) to the nearest edge of the water of the pool.
 - 1.5.4 Screen enclosure as a barrier. A swimming pool screen enclosure shall be permitted to be utilized as part, or all, of a required barrier, provided that the enclosure complies with the requirements of Section 1. Such screen enclosures shall be designed by a registered design professional. Walls of such screen enclosures shall not be considered to be dwelling walls.
 - 1.5.5 Mesh for screen enclosures. The mesh utilized in the barrier portion of the screen enclosure shall have a tensile strength of not less than 100 psf when tested in accordance with ASTM D5034-21 and a ball burst strength of not less than 150 psf when tested in accordance with ASTM D3787-16.
- 1.6 Closely spaced horizontal members. Where the barrier is composed of horizontal and vertical members and the distance between the tops of the horizontal members is less than 45 in. (1143 mm), the horizontal members shall be located on the pool or spa side of the fence. Spacing between vertical members shall not exceed 1.75 in. (44 mm) in width. Where there are decorative cutouts within vertical members, spacing within the cutouts shall not exceed 1.75 in. (44 mm) in width.
- 1.7 Widely spaced horizontal members. Where the barrier is composed of horizontal and vertical members and the distance between the tops of the horizontal members is 45 in. (1143 mm) or more, spacing between vertical members shall not exceed 4 in. (102 mm). Where there are decorative cutouts within vertical members, the interior width of the cutouts shall not exceed 1.75 in. (44 mm).
- 1.8 Chain link dimensions. The maximum opening formed by a chain link fence shall be not more than 1.75 in. (44 mm). Where the fence is provided with slats fastened at the top and bottom that reduce the openings, such openings shall be not greater than 1.75 in. (44 mm).
- 1.9 Diagonal members. Where the barrier is composed of diagonal members, the maximum opening formed by the diagonal members shall be not greater than 1.75 in. (44 mm). The angle of diagonal members shall be not greater than 45 degrees (0.79 rad) from vertical.
- 1.10 Clear zone. Where equipment, including pool equipment such as pumps, filters, and heaters, is on the same lot as a pool and such equipment is located outside of the barrier protecting the pool or spa, such equipment shall be located not less than 36 in. (914 mm) from the outside of the barrier.
- 1.11 Doors and gates. Doors and gates in barriers shall comply with the requirements of Sections 1.1 through 1.9 and shall be equipped to accommodate a locking device. Pedestrian access doors and gates shall open outward away from the pool, shall be self-closing, and shall have a self-latching device. Doors and gates shall not swing over stairs.
 - 1.11.1 Utility or service doors and gates. Doors and gates not intended for pedestrian use, such as utility or service doors and gates, shall remain locked when not in use.
 - 1.11.2 Double or multiple doors and gates. Double doors and gates or multiple doors and gates shall have not fewer than one leaf secured in place and the adjacent leaf shall be secured with a self-latching device.

- 1.11.3 Latch release. For doors and gates in barriers, the door and gate latch release mechanisms shall be in accordance with the following:
 - 1.11.3.1 Where door and gate latch release mechanisms are accessed from the outside of the barrier and are not of the self-locking type, such mechanisms shall be located above the finished floor or ground surface not less than 54 in. (1372 mm).
 - 1.11.3.2 Where door and gate latch release mechanisms are of the self-locking type such as where the lock is operated by means of a key, an electronic opener, or the entry of a combination into an integral combination lock, the lock operation control and the latch release mechanism shall be located above the finished floor or ground surface not greater than 54 in. (1372 mm).
 - 1.11.3.3 Where the only latch release mechanism of a selflatching device for a gate is located on the pool side of the barrier, the release mechanism shall be located at a point that is at least 3 in. (76 mm) below the top of the gate.
- 1.12 Barriers adjacent to latch release mechanisms. Where a latch release mechanism is located on the inside of a barrier, openings in the door, gate, and barrier within 18 in. (457 mm) of the latch shall not be greater than 0.5 in. (13 mm) in any dimension.
- 1.13 Structure wall as a barrier. Where a wall of a dwelling or structure serves as part of the barrier and where doors, gates, or windows provide direct access to the pool or spa through that wall, one of the following shall be required:
 - 1.13.1 Operable windows having a sill height of less than 48 in. (1219 mm) above the indoor finished floor and doors shall have an alarm that produces an audible warning when the window, door, or their screens are opened. The alarm shall be listed and labeled as a water hazard entrance alarm in accordance with UL 2017.
 - 1.13.2 In dwellings not required to be accessible units, Type A units, or Type B units, the operable parts of the alarm deactivation switches shall be located 54 in. (1372 mm) or more above the finished floor.
 - 1.13.3 In dwellings that are required to be accessible units, Type A units, or Type B units, the operable parts of the alarm deactivation switches shall be located not greater than 54 in. (1372 mm) and not less than 48 in. (1219 mm) above the finished floor.
 - 1.13.4 In structures other than dwellings, the operable parts of the alarm deactivation switches shall be located not greater than 54 in. (1372 mm) and not less than 48 in. (1219 mm) above the finished floor.
 - 1.13.5 A safety cover that is listed and labeled in accordance with ASTM F1346-23 is installed for the pool.
 - 1.13.6 An approved means of protection, such as self-closing doors with self-latching devices, is provided. Such means of protection shall provide a degree of protection that is not less than the protection afforded by Section 1.13.1 or 1.13.2.
- 1.14 Pool wall as a barrier. An aboveground/onground residential pool wall structure, or a barrier mounted on top of an aboveground/onground residential pool wall structure, shall serve as a barrier where all of the following conditions are present:
 - 1.14.1 Where only the pool wall serves as the barrier, the bottom of the wall is on grade, the top of the wall is not less than 48 in. (1219 mm) above grade for the entire perimeter of the pool, the wall complies with the requirements of Section 1 and the pool manufacturer allows the wall to serve as a barrier. Manufacturers shall instruct if the pool wall can be used as a barrier when all the requirements of Section 1 are met.
 - 1.14.2 Where a barrier is mounted on top of the pool wall, the top of the barrier is not less than 48 in. (1219 mm) above grade for the entire perimeter of the pool, and the wall and the barrier on top of the wall comply with the requirements of Section 1.
 - 1.14.3 Ladders or steps used as means of access to the pool are capable of being secured, locked, or removed to prevent access except where the ladder or steps are surrounded by a barrier that meets the requirements of Section 1.
 - 1.14.4 Openings created by the securing, locking, or removal of ladders and steps do not allow the passage of a 4 in.-diameter (102 mm) sphere.
 - 1.14.5 Barriers that are mounted on top of aboveground/onground residential pool walls are installed in accordance with the pool manufacturer's instructions.

RISK OF DROWNING, ENTRAPMENT, AND DIVING ACCIDENTS

Publications are available that describe the risk of drowning, entrapment, and diving accidents. Available publications related to pool safety include the Association of Pool and Spa Professionals' (APSP) booklets entitled: The Sensible Way to Enjoy Your Above-ground/On-ground Swimming Pool, Children Aren't Waterproof, Pool and Spa Emergency Procedures for Infants and Children, Layers of Protection, and the latest published edition of ANSI/APSP-8 Model Barrier Code for Residential Swimming Pools, Spas, and Hot Tubs.

INSTALLER RESPONSIBILITIES

All of these components shall be positioned so as to prevent their being used as a means of access to the pool by young children. All safety signs shall be affixed above the water line according to manufacturer's instructions. (See the latest published edition of ANSI/APSP-8 Model Barrier Code for Residential Swimming Pools, Spas, and Hot Tubs.)

To prevent entrapment hazards inside the pool structure, accessible openings with a depth of penetration greater than 0.4 in. (10 mm), with the lowest point located 19.7 in. (500 mm) or more below water surface at the maximum fill level, shall be restricted to the range of opening or gap size dimensions as follows:

- Less than 0.22 in. (6 mm)
- Greater than 1.0 in. (25 mm) and less than 1.3 in. (33 mm)
- Greater than 9 in. (229 mm)

Pool Safety Sign

Post This Warning Near Your Pool.

WARNING

NO DIVING OR JUMPING SHALLOW WATER

TO AVOID PERMANENT INJURY OR DEATH

- Watch children closely at all times.
- Be vigilant: Think safety and act safely at all times in and around water.
- No running or horseplay in and around pool; no jumping or diving into pool.
- Do not use pool when using alcohol or drugs.
- Do not use or allow glass in and around pool.



ALL POOL USERS, ESPECIALLY CHILDREN MUST LEARN AND FOLLOW THESE SAFETY RULES TO AVOID HAZARDS IN AND AROUND WATER.

Pool Ladder Safety

WARNING

Always Remove and Securely Store the Ladder When the Pool Is Not In Use



Easy Steps To Remove the Pool Ladder:

1. Standing at the side of the ladder, grip at or near the top steps with both hands.
2. Tilt the ladder towards you. Once the ladder legs are above the pool wall, drag or lift the ladder out of the water.
3. Place the ladder on the ground.
4. Securely store the ladder away from the pool to prevent children using it to access the pool without supervision.

Pool Cover Safety

If you are going to use a pool cover, solar cover, or solar blanket, please read this information.

POOL COVER WARNING / SOLAR COVER WARNING / SOLAR BLANKET WARNING

WARNING:

AVOID DROWNING RISK

- Pool cover (if included) is not a safety cover.
- Keep children away from cover. Children or objects cannot be seen under cover.
- Stay off cover – Will not support weight.
- Remove standing water. Child can drown on top of cover.
- Lay cover on top of water surface.
- Use drawstring to secure pool cover to pool (if applicable).
- Non-secured or improperly secured covers are a hazard.
- Install pool cover with labels facing up.
- Remove cover(s) completely before entry of bathers – Entrapment possible.
- Failure to follow all instructions may result in injury or drowning.

NEVER LEAVE YOUNG CHILDREN UNATTENDED IN OR AROUND POOL COVER.

**This cover (if included) meets requirements described in specification ASTM F-1346.
Type OC cover classification.**

IMPORTANT: Do not use a pool cover, solar cover, or solar blanket on this pool if it does not have this type of warning label on the cover.

DANGER: Competent supervision and knowledge of the safety requirements are the only ways to prevent drowning or permanent injury in the use of this product! Never leave young children unattended.

SAVE THESE INSTRUCTIONS

Building Your Pool

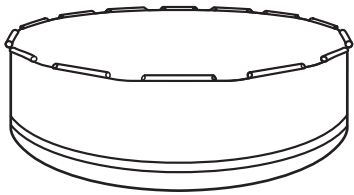
Inside Your Product Box

The following illustration outlines the contents in your product box.

Items 3 – 7 are optional depending on the pool model you purchased.

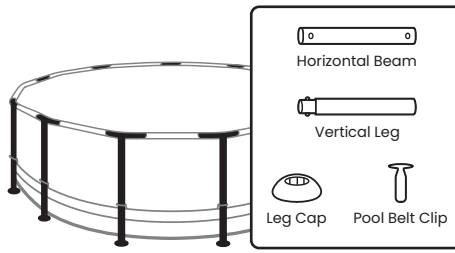
For exact quantity of parts, refer to the Parts List (on Page 27).

1



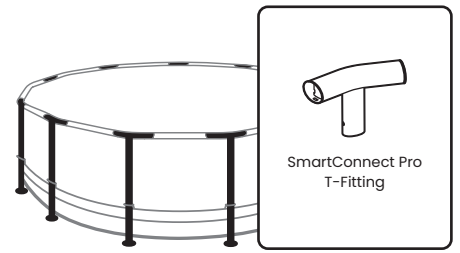
Pool Liner

2a



Metal Frame

2b



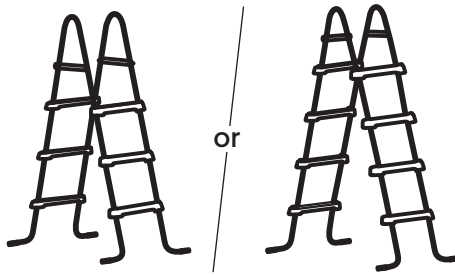
SmartConnect Pro T-Fittings

3



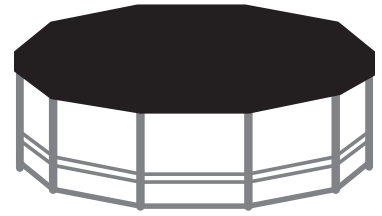
Filtraboost Pool Pump with AutoSkimmer

4



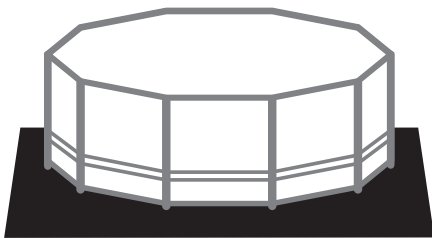
SureStep Ladder

5



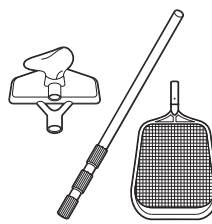
Pool Cover

6

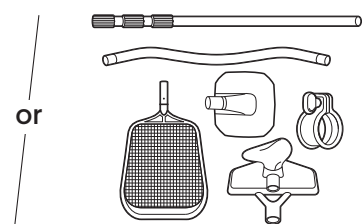


Ground Cloth

7



Maintenance Kit



Deluxe Maintenance Kit

STEP 1: Prepare the site

Before assembling your pool, check the contents and become familiar with all the parts. Review all the following warnings, guidelines and tips before proceeding with setup:

WARNINGS

- Do not overfill the pool and / or allow people to lay over or sit on pool wall - doing so can cause permanent injury!
- Drain pool to the proper level after a heavy rain. The Maximum Water Level should be about 6 inches below the top rim.
- Site must be level, stable, compacted soil.
- Do not install pool on a wooden deck or any type of wooden surface. You cannot use sand and/or uncompacted soil to provide a level surface for this pool; it will only wash out.

GUIDELINES

- The pool must be assembled on a smooth and level site of firm soil that is free of stones, gravel, sticks, blacktop, or other oil base compounds.
- Before setting up your pool, clear the area of hardy grasses. Certain types of vigorous grasses such as St. Augustine and Bermuda can grow through the liner. A ground cloth or tarp may be helpful in preventing this from occurring. Grass growing through the liner is not covered under warranty.
- Failure to follow all these instructions will cause pool to collapse and will void the warranty!

TIP: It will be much easier to install your pool if you unfold it and let it lay in direct sunlight for about 2 hours prior to installation. This will help to ensure a wrinkle-free fit because the pool material will be more pliable allowing it to form into shape during installation.

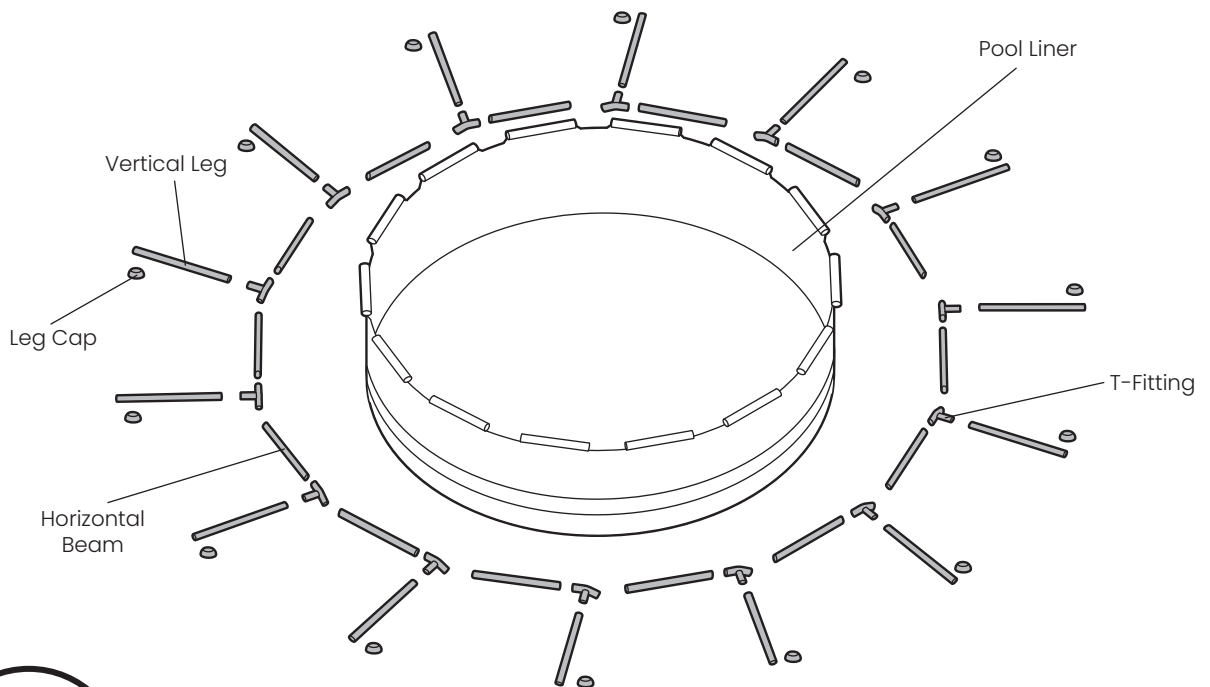
GETTING STARTED

- Select a level area, and completely remove all debris, twigs, stones, etc. Do not select an area under overhead electrical lines, trees, or within 15 feet of a house, building, etc.
- The pool shall be located a minimum distance of 6 ft (1.83 m) from any electrical receptacle.
- All 125 volt, 15 and 20 ampere receptacles located within 20 ft (6m) of the pool shall be protected by a ground fault circuit interrupter (GFCI). The 20 ft (6 m) distance is measured via the shortest straight line distance the supply cord would follow without piercing a floor, wall, ceiling, doorway, window, or other permanent barrier.
- Contact your local utilities, checking that no underground cables, telephone lines, gas lines, etc. run beneath the area you have selected.

STEP 2: Assemble the pool frame and connect it to liner

1. Lay all parts (located in *Boxes 1, 2a & 2b*) on the ground around the pool liner as shown below:

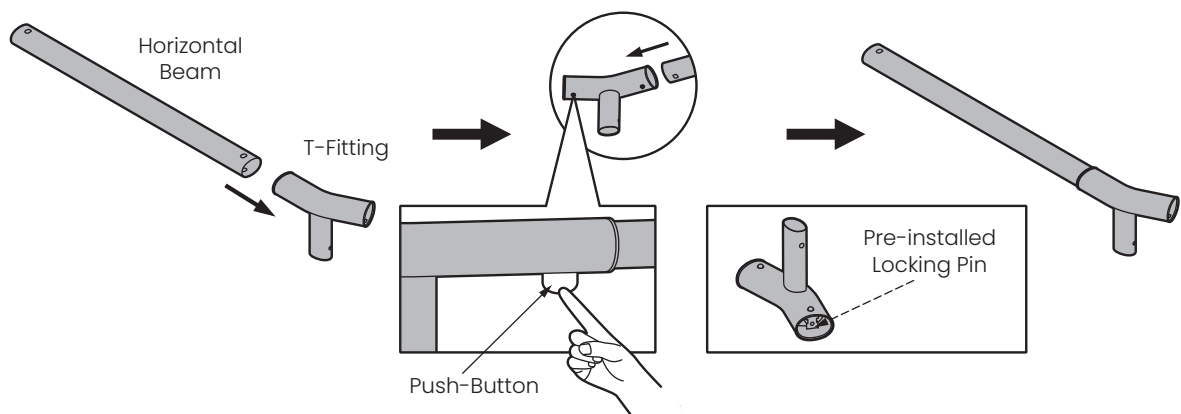
NOTE: Ensure the pool is between 10 to 21 feet away from any electrical outlets.



Caution: Avoid wearing shoes when stepping on the pool liner. Only use hands or bare feet to open up the liner.

2. Take one horizontal beam and insert it to one T-Fitting to form a set (see following figure).

Horizontal Beam with T-Fitting Set

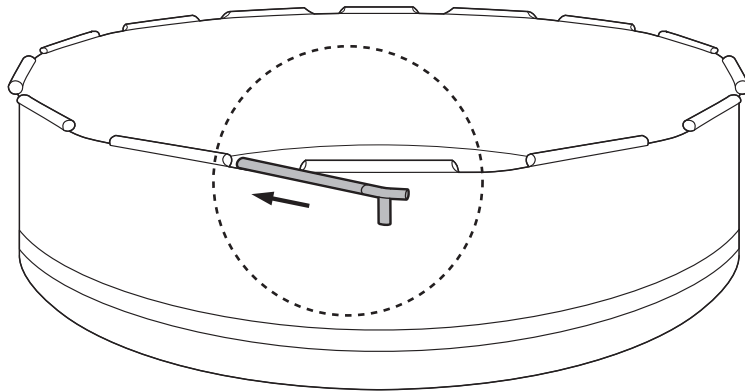


- a) To insert, press and hold the push-button below the T-Fitting; then connect it to one end of the horizontal beam.
- b) Push the horizontal beam and T-Fitting together and release the push-button. It should snap into place and lock the T-Fitting and horizontal beam together.

If they are securely attached, you could feel the end of the O-Pin from the base of the Horizontal Beam.

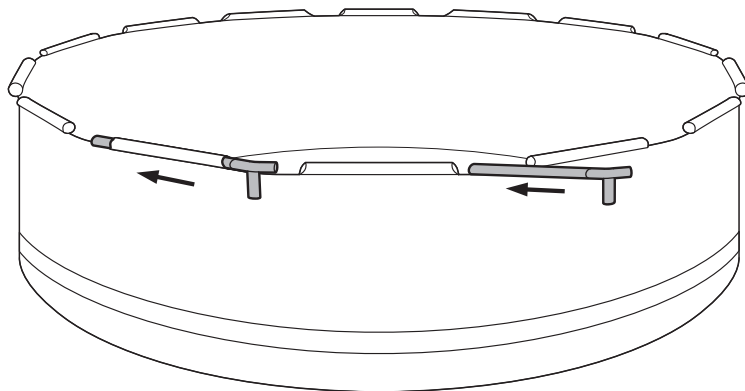
- Carefully slide the horizontal beam set into the sleeves of the pool liner.

NOTE: Make sure the vertical part of the T-Fitting faces down and away from the liner to avoid puncturing the liner.

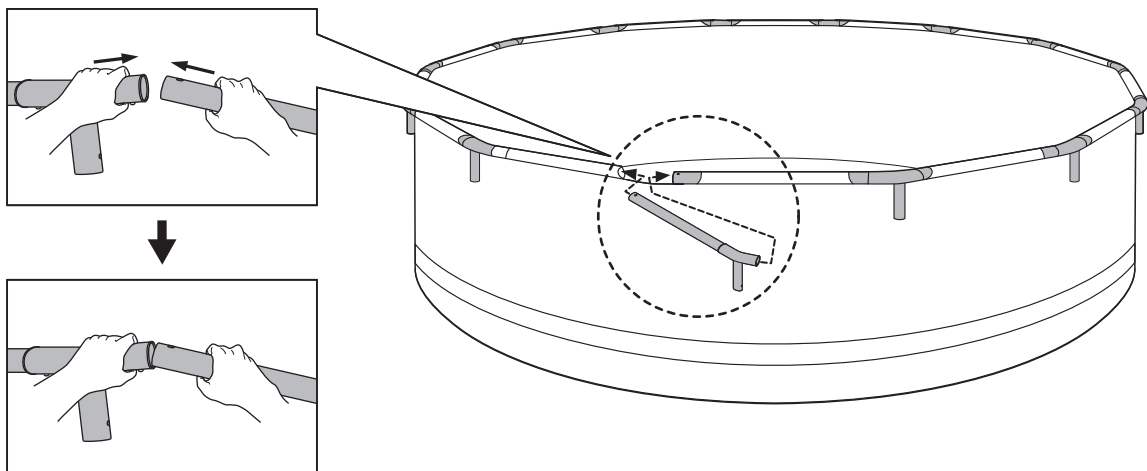


- Repeat Step 2 to connect the rest of the horizontal beams and the T-Fittings.
- Slide the next set of the horizontal beam with T-Fitting into the sleeve beside the first set (see following figure). Then, link the open end of the horizontal beam with the T-Fitting of the first set. Press the push-button while sliding the parts together. Release the push-button for the parts to snap into place and lock tight.

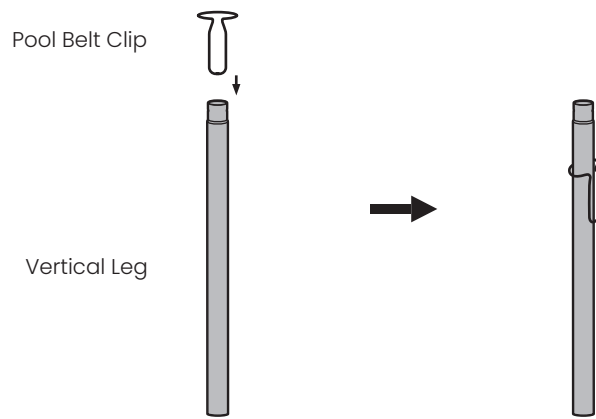
NOTE: Be sure to start from one end and work in the same direction until the frame is complete. Avoid starting from multiple locations at once to make setup easier.



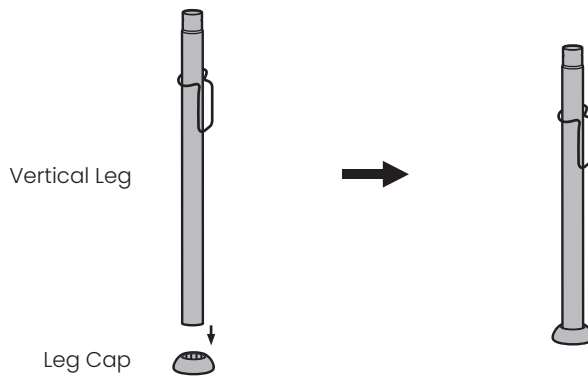
- Slide the final set into the sleeve. For easier connection, raise the end of the T-Fitting and the adjacent horizontal beam by 2 inches (5cm) before sliding them together to complete the top frame.



7. a) Locate the pool belt clips and attach one to each vertical leg.



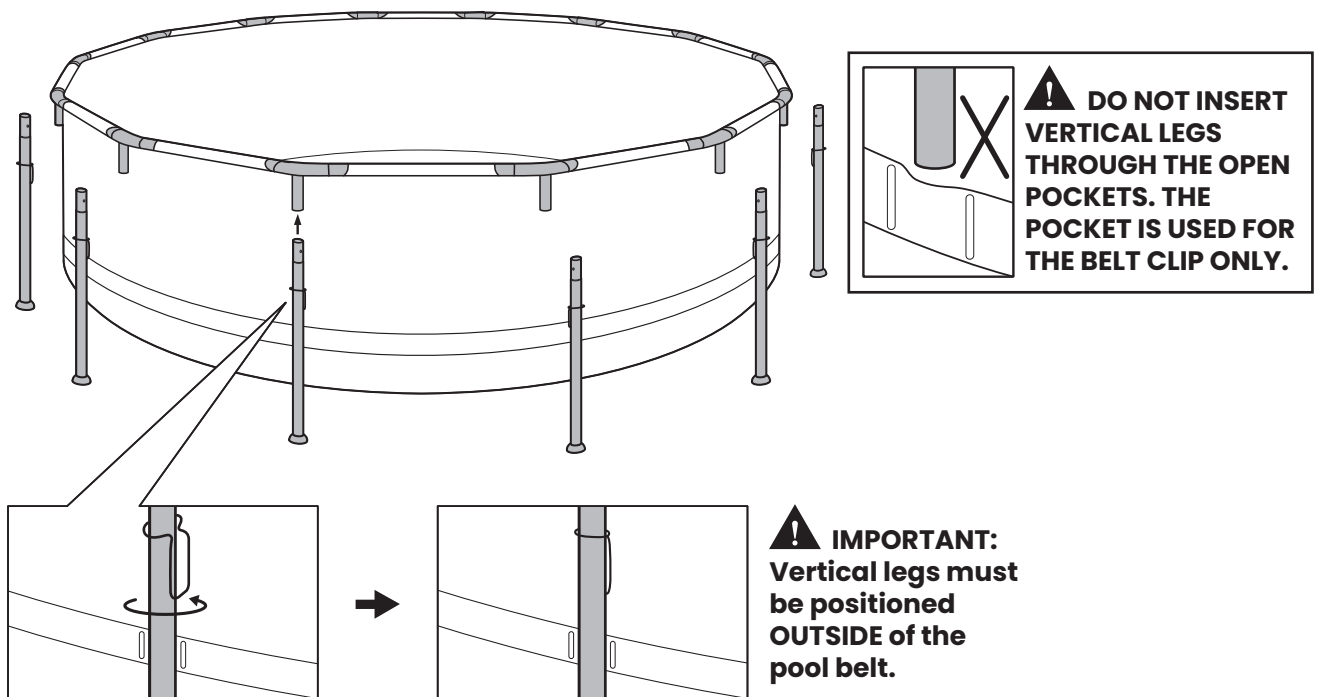
b) Insert the vertical legs into the leg caps.



8. **IMPORTANT NOTE: All vertical legs must be positioned OUTSIDE of the pool belt to avoid damages and leakage.**

a) Turn the vertical leg so that the attached belt clip faces inward towards the pool liner and liner belt.

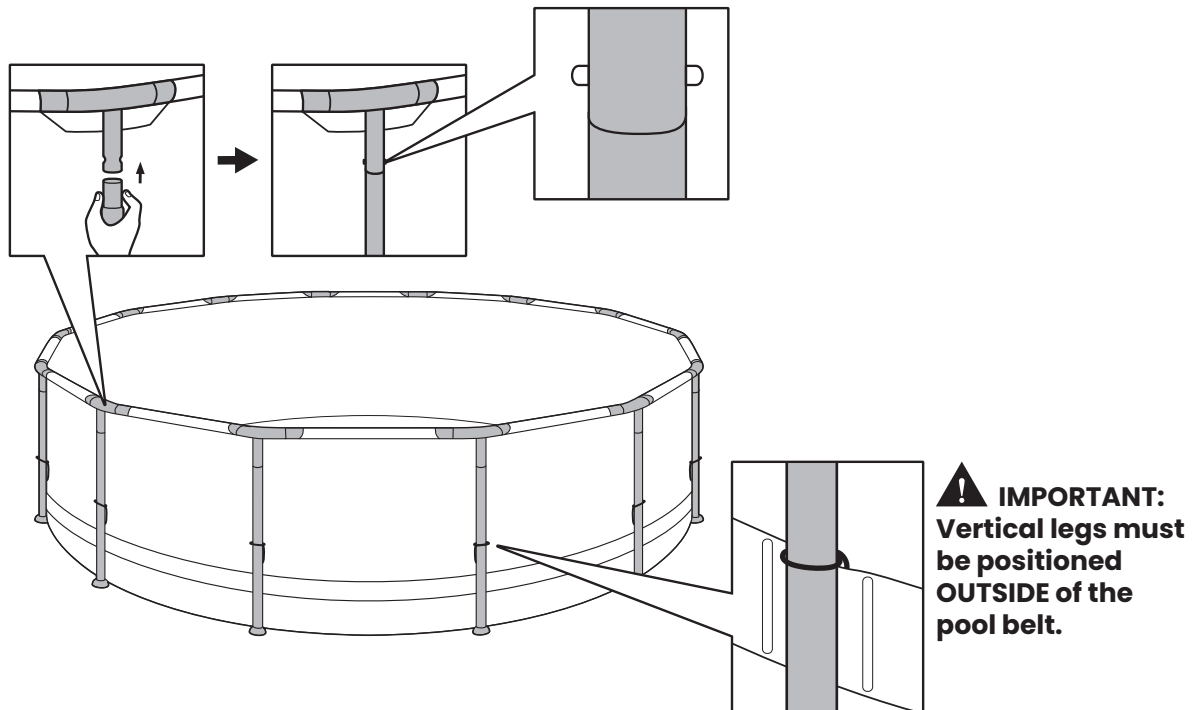
b) Connect the vertical legs to the base of the T-Fitting.



9a. Look through the hole at the bottom of the T-Fitting, as you insert the Vertical Leg with Leg Cap, rotate it until the buttons align with the holes and pop out, locking the Vertical Leg in place (see following figure). Do this for all Vertical Legs.

IMPORTANT: Make sure each T-Fitting and Vertical Leg are positioned in the center gap between the pool sleeves and are perpendicular to the ground.

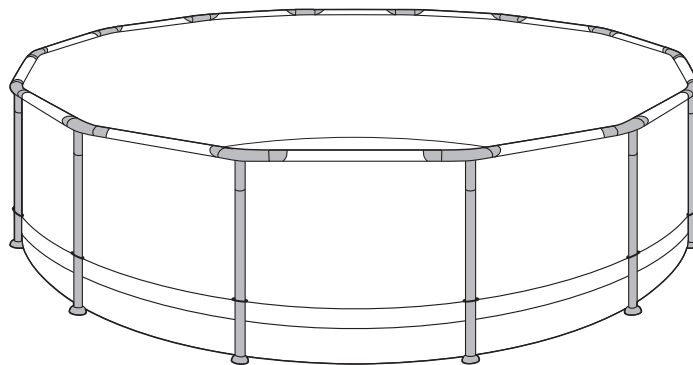
NOTE: Each Vertical leg has a V-Shaped Spring Pin pre-installed. There is an extra pin included with your pool parts.



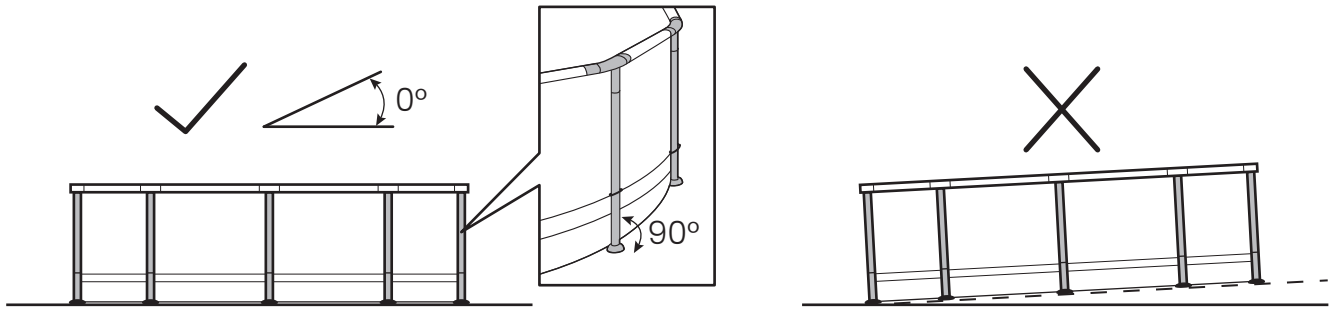
9b. Slide the pool belt clip down each vertical leg into the small sleeve between the seals on the liner's belt. Center the pool belt clip to avoid tearing the seals.

TIP: To prevent the pool from buckling during assembly, connect one Vertical Leg to every **third T-Fitting** so the frame can stand comfortably.

10. Continue working around the perimeter until the entire liner is securely connected to the frame. Go around and check all T-Fittings, Push-buttons of O-Pins, Legs and Beams are properly installed and secured in place (see following figure).

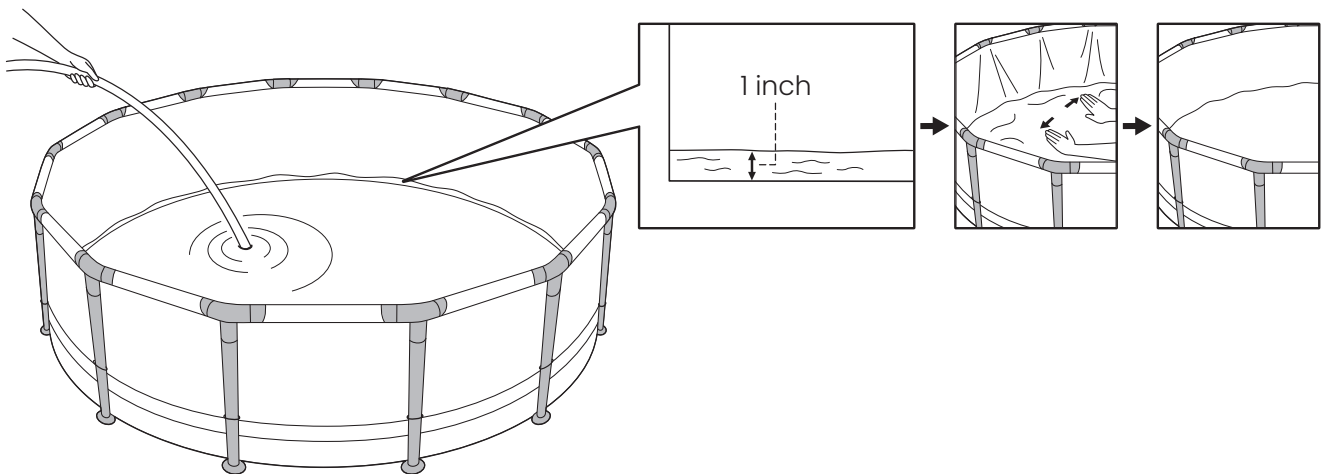


11. Make sure the vertical legs **stand straight and are perpendicular to the level ground**. Each vertical leg must be **flush against the pool wall**.



STEP 3: Add 1 inch of water to pool

1. After ensuring that the drain fitting is plugged securely and the cap is in place, fill the pool with about an inch of water. Then stop filling, and smooth out all wrinkles in the liner.

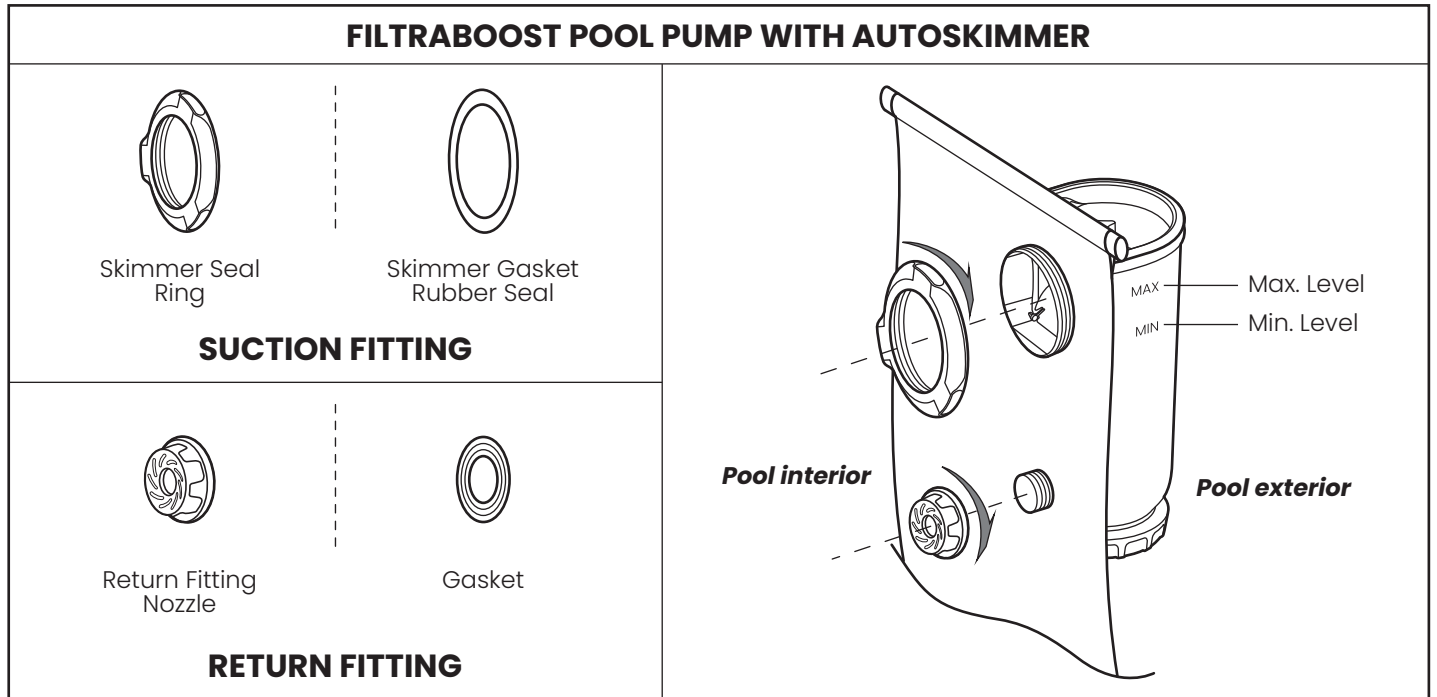


Caution: Only use bare feet or hands when smoothing out the liner bottom while filling the pool.

2. Gently tug the Vertical Legs outwards so that all legs are vertical and perpendicular to the ground.
NOTE: If more than 1 to 2 inches of water collects on any one side before the pool starts filling in the center, the pool is not level enough, and must be corrected (See Section "Prepare the Site").

STEP 4: Install the fittings for filter pump and then install filtration system

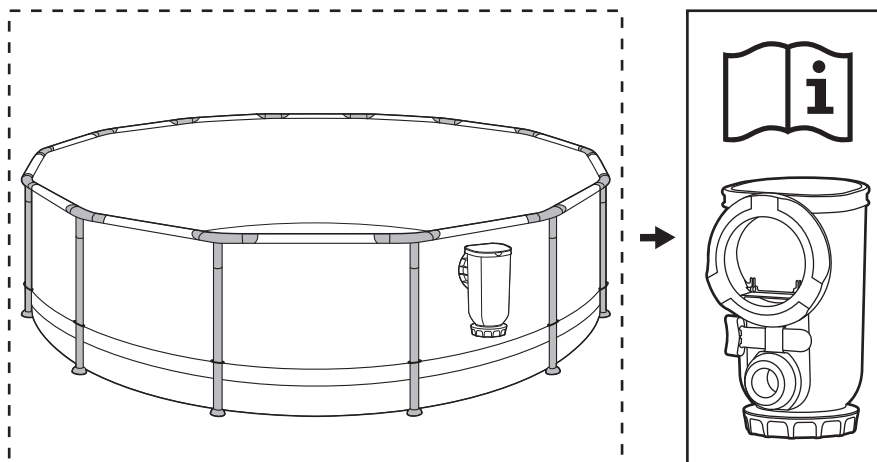
If your pool came with fittings, install both the Suction and Return fittings to the pool wall before filling the pool.



NOTES:

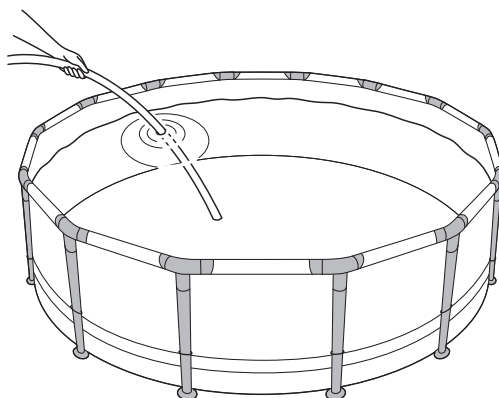
- The black rubber Gasket should always be slid over the threaded plastic suction or return fitting and be on the pool interior before the fitting is placed through the pool wall to make a watertight connection.
- Make sure to cover the suction and return fittings with the Water Cap and/or the Service Plug (if included) while you fill your pool, or until you are ready to add a filtration system.
- * DO NOT cover the suction and return fittings with any Water Cap or Service Plug when the filtration system is in operation. Only use the Water Cap and/or the Service Plug (if included) when replacing cartridge filter or servicing the filter pump.

Install the filtration system as per the enclosed "Funsicle Filter Pump User Guide".



Filling Your Pool

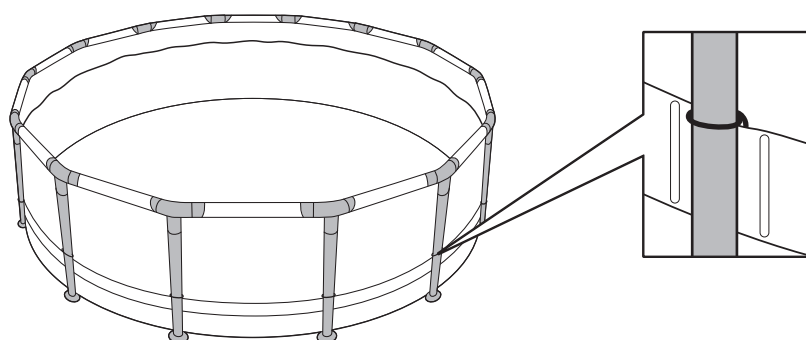
Continue adding water to your pool to approximately 6 inches below the top rim.



NOTES:

- Your pool should be straight and vertical to the ground. If your pool is leaning to one side, the ground may not be level, and you may need to restart the setup.
- Do not press the T-Fitting push button when filling the water in the pool or using the pool.
- Only press the T-Fitting push button when the pool is empty.

Check that all pool belt clips are in the correct position, ensuring a tight seal between the pool liner and liner belt.



CAUTION: Always follow the chemical manufacturer's directions, and the health and hazard warnings.

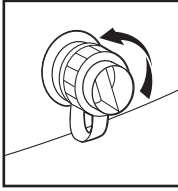
Do not add chemicals while the pool is occupied. This can cause skin or eye irritation. Concentrated chlorine solutions can damage the pool liner. In no event is Polygroup, our buyer/retailers, or any other party liable for costs associated with the loss of pool water, chemicals, or water damage. Keep spare filter cartridges on hand. Replace cartridges every two weeks. We recommend the use of Funsicle Filter Pumps with all of our above ground pools. To purchase a Funsicle Filter Pump or other accessories, visit our website at funsicle.com or call Funsicle Customer Service.

Excessive Rain: To avoid damage to the pool and overfilling, immediately drain rain water that causes the water level to be higher than the top rim.

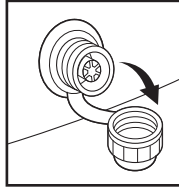
Failure to follow the instructions above will cause the pool to collapse and will void the warranty.

Draining & Dismantling Your Pool

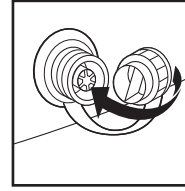
1. Check local regulations for specific directions regarding disposal of swimming pool water.
2. Remove the protective foam ring on the drainage cap.
3. Follow the steps below for water drainage:



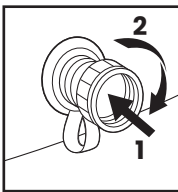
a) Turn the drain cap counterclockwise



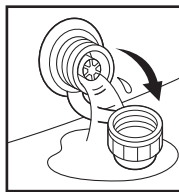
b) Return the drain cap from the valve



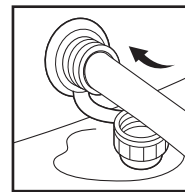
c) Flip the drain cap and reinsert it into the drain valve



d) Push and turn the drain cap clockwise for about a quarter turn (90°) to unlock

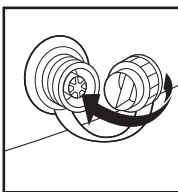


e) The drain valve is now open, and water will begin to flow out

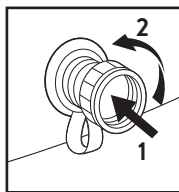


f) Attach a $5/8$ " garden hose to the drain valve

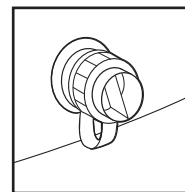
4. Place the other end of the garden hose in an area where the water can be safely drained away from the house and other nearby structures.
5. When the water stops draining, start lifting the pool from the side opposite to the drain valve to drain any remaining water and empty the pool completely.
6. After drainage, lock the drain valve and close the drain cap.



a) Flip the drain cap and reinsert it into the drain valve



b) Push and turn the drain cap counterclockwise for about a quarter turn (90°) to lock



c) Close the drain cap

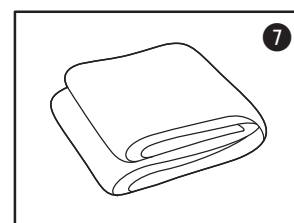
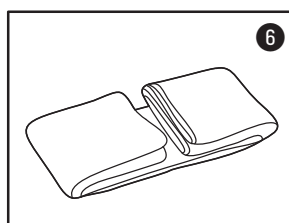
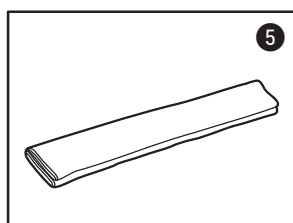
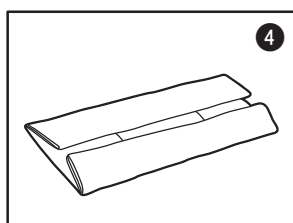
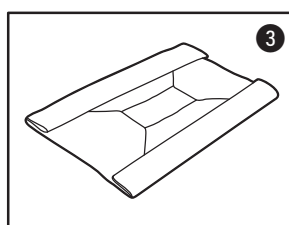
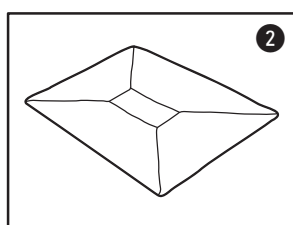
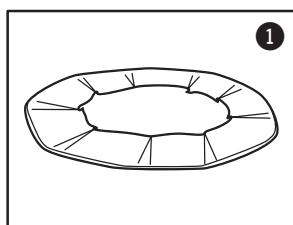
NOTE: NEVER step on the drain valve.

Maintaining Your Pool

Storage

1. Remove all connecting parts.
2. Be sure that the pool and all parts are completely dry before storage. Air dry the liner in the sun until it is completely dry before folding (see *drawing 1*). Sprinkle some talcum powder to prevent the vinyl from sticking together and to absorb any residual moisture.
3. Create a square shape. Starting at one side, fold one-sixth of liner into itself twice. Do the same on the opposite side (see *drawings 2 & 3*).
4. Once you have created two opposing folded sides, simply fold one over the other like closing a book (see *drawings 4 & 5*).
5. Fold the two long ends to the middle (see *drawing 6*).
6. Fold one over the other like closing a book, and finally compact the liner (see *drawing 7*).
7. Store the liner and accessories in a dry, temperature-controlled storage location above 32°F (0°C) and below 104°F (40°C).

TIP: The original packaging can be used for storage.



Repair

To repair a puncture on the pool liner, follow these steps:

1. Locate the puncture on the pool.
2. While standing in the pool, peel off and apply the patch over the puncture on the interior pool wall.
3. Press and rub the patch firmly with your fingers to release any trapped air bubbles.
4. Flatten the patch until it is completely smooth.

NOTE: Scan this QR code to watch the demonstration video.



Winterizing Your Pool

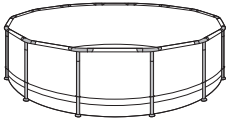






If you live in a region where the temperature drops below 32°F (0°C), you cannot winterize your pool. However, you can store your pool securely by following the steps below.

1. Drain your pool and dry the pool liner completely.
2. After drying, wipe down the liner with a clean cloth using a non-corrosive cleaning agent to prevent mildew and mold. Talcum powder is recommended to absorb any excess moisture.
3. Fold the pool into neat, even layers without creasing it to retain its shape. For detailed instructions on how to fold your pool liner, refer to the Maintaining Your Pool section of this user guide.
4. Store in an airtight bag/container.
5. The storage area should be cool and dry without direct sunlight.

If you live in a region where the temperature does not drop below 32°F (0°C), you can winterize your pool by following the steps below.

1. Clean your pool water using a skimmer net to remove debris or leaves from the surface, then vacuum the pool floor and sides.
2. If your pool has a skimmer or any accessories attached to the threaded strainer connector, remove them and dry them.
3. Clean and drain the pool pump, filter housing, and hoses. Remove and replace the old filter cartridge with a new one.
4. Remove any inlet and outlet fittings and plug them up.
5. If you have a pool ladder, remove it. Then clean and dry it.
6. The ladder, hoses, pool pump, and pump parts should be kept indoors and stored in a dry area with temperatures between 0°C (32°F) and 40°C (104°F).
7. **Adding winter chemicals:** If you use winter chemicals (not included in this pool set), consult your local pool professional before purchasing.
 - pH Balancers: Adjust the pool water's pH level to the recommended range (7.4 to 7.6) using pH increaser or pH reducer chemicals to maintain water balance and prevent corrosion or scaling.
 - Chlorine or Non-Chlorine Shock & Algaecide: Chlorine or non-chlorine shock sanitizes the water and prevents algae growth. A chlorine dispenser is recommended to sanitize the water during winter, continually. For algaecide, choose a winter-specific brand designed for colder temperatures.
 - Winter Stain and Scale Preventer: Prevents stains and scale build-up.
8. Cover your pool with a pool cover to maintain debris-free water. If the temperature drops, use air pillows underneath the water to prevent the pool cover from freezing to the water.
9. Unplug the pump or other devices attached to the pool from the power source. Any water flow to the pool must be shut off.

Parts List

						
Pool Size	Pool Liner	Horizontal Beam	Vertical Leg	Pool Belt Clip	SmartConnect Pro T-Fitting	Leg Cap
Pool Size	Qty.	Qty.	Qty.	Qty.	Qty.	Qty.
12' x 36" (366 x 91 cm)	1	12	12	12	12	12
12' x 48" (366 x 122 cm)	1	12	12	12	12	12
14' x 42" (427 x 107 cm)	1	14	14	14	14	14
14' x 48" (427 x 122 cm)	1	14	14	14	14	14
15' x 42" (457 x 107 cm)	1	15	15	15	15	15
15' x 48" (457 x 122 cm)	1	15	15	15	15	15
16' x 48" (488 x 122 cm)	1	16	16	16	16	16
18' x 48" (549 x 122 cm)	1	18	18	18	18	18
18' x 52" (549 x 132 cm)	1	18	18	18	18	18
20' x 48" (610 x 122 cm)	1	20	20	20	20	20
22' x 52" (671 x 132 cm)	1	22	22	22	22	22
24' x 52" (732 x 132 cm)	1	24	24	24	24	24
26' x 52" (792 x 132 cm)	1	26	26	26	26	26

Dear Funtastic Customer,

Thank YOU for choosing one of our Funsicle products. We're on a mission to inspire the world to play more outdoors, which is why we design products that capture the summertime spirit of imagination, connection and fun.

It's important to us that you have the BEST experience with this product, and we're excited for you to make some happy outdoor memories.

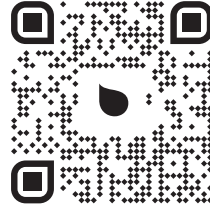
Need a helping hand? Use the contact info on this page to reach us.

Once again, we thank you for placing your trust in us. Happy swimming and playing!

- Your friends, the Funsicle Team

CONTACT US

We're here to help! For answers to common questions, setup videos and troubleshooting tips, visit support.funsicle.com or scan the QR code.



DO NOT RETURN PRODUCT TO STORE.

If you encounter any issues with your Funsicle product, do not return it to the place of purchase.

Contact CUSTOMER SERVICE:

Phone: 888-670-4FUN (888-670-4386)

Email: HelloFun@Funsicle.com

WARRANTY

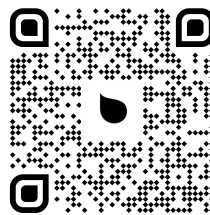
For warranty information, visit funsicle.com/warranty.

NEED PARTS?

To order parts and accessories, visit funsicle.com.

REGISTER YOUR PRODUCT

Scan the QR code



Funsicle®

Polygroup North America, Inc.
9033 Billy The Kid St,
El Paso, TX 79907, USA